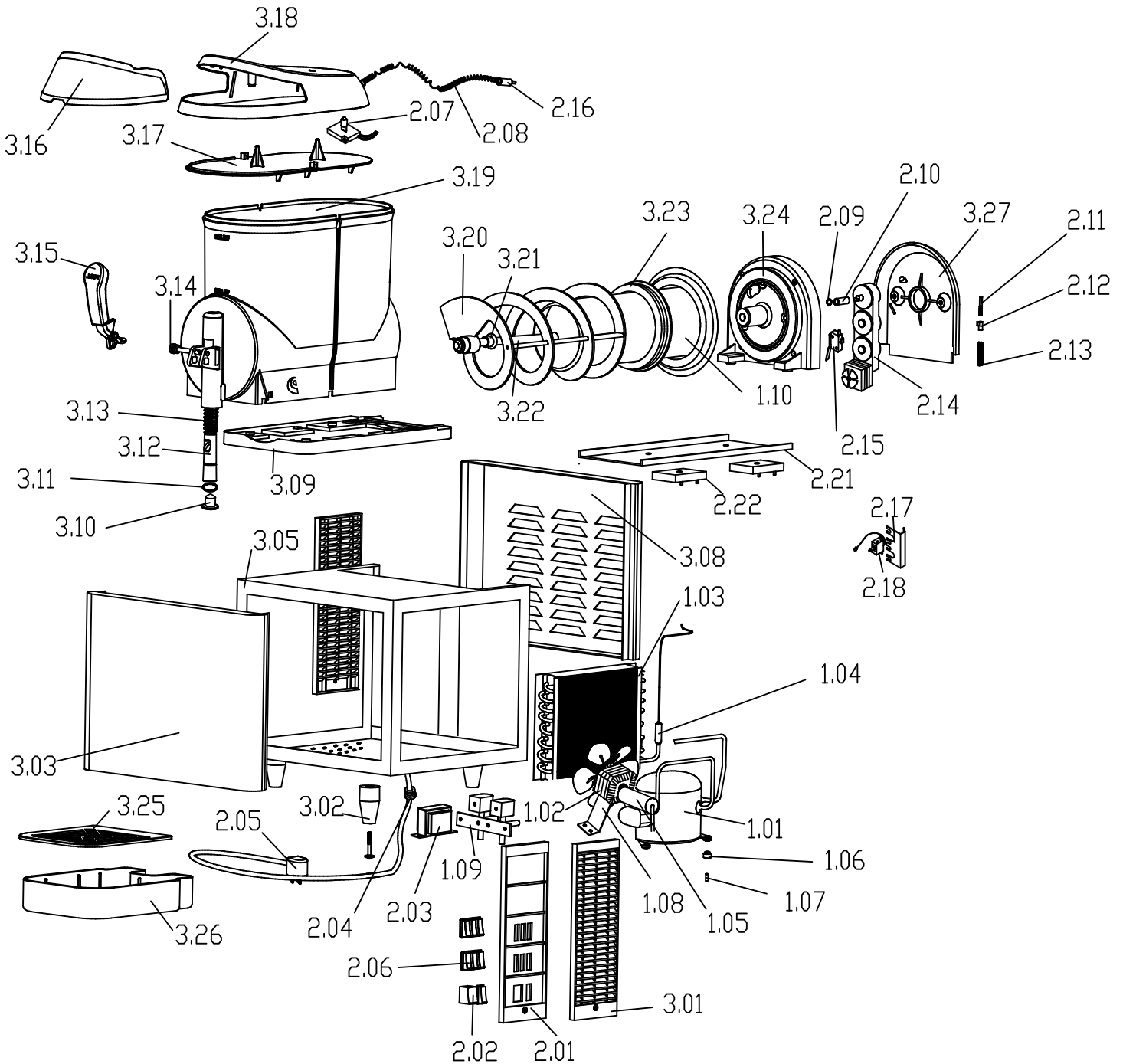


Parts Breakdown

Model DI-CN-0024-X 47082



Parts Breakdown

Model DI-CN-0024-X 47082

Item No.	Description	Position	Item No.	Description	Position	Item No.	Description	Position
AI323	Compressor for 47082	1.01	AI339	Hardness Indicator for 47082	2.12	AI355	Spring for 47082	3.13
AI324	Fan Motor for 47082	1.02	AI340	Hardness Spring for 47082	2.13	AI356	Pin for 47082	3.14
AI325	Condenser for 47082	1.03	AI341	Gear Motor for 47082	2.14	AI357	Handle for 47082	3.15
AI326	Filter for 47082	1.04	AI342	Limited Switch for 47082	2.15	AI358	Plastic Board for 47082	3.16
AI327	Bracket for Fan Motor for 47082	1.08	AI343	Light Cover Wire for 47082	2.16	AI359	Light Board for 47082	3.17
AI328	Solenoid Valve for 47082	1.09	AI344	Bracket for Thermostat for 47082	2.17	AI360	Light Cover for 47082	3.18
AI329	Evaporator for 47082	1.10	AI345	Thermostat for 47082	2.18	AI361	Bowl for 47082	3.19
AI330	Switch Panel for 47082	2.01	AI346	Delayed Relay for 47082	2.22	AI362	Scraper for Spiral for 47082	3.20
AI331	General Switch for 47082	2.02	AI347	Side Panel for 47082	3.01	AI363	Bush for Seal for 47082	3.21
AI332	12V Transformer for 47082	2.03	AI348	Supporting Feet for 47082	3.02	AI364	Driver Spindle for Spiral for 47082	3.22
AI333	Little Switch for 47082	2.06	AI349	Front Panel for 47082	3.03	AI365	Bowl Seal for 47082	3.23
AI334	Light for 47082	2.07	AI350	Back Metal Casing for 47082	3.08	AI366	Casting for Evaporator for 47082	3.24
AI335	Light Concentrate Electrical Wire for 47082	2.08	AI351	Plastic Casing for Below Tub for 47082	3.09	AI367	Cover of Drip Tray for 47082	3.25
AI336	Mat for 47082	2.09	AI352	Plug for 47082	3.10	AI368	Drip Tray for 47082	3.26
AI337	Bushing Spindle Connection for 47082	2.10	AI353	O-Ring for 47082	3.11	AI369	Gear Motor Cover for 47082	3.27
AI338	Hardness Screw for 47082	2.11	AI354	Piston for 47082	3.12			